

Flat Probes

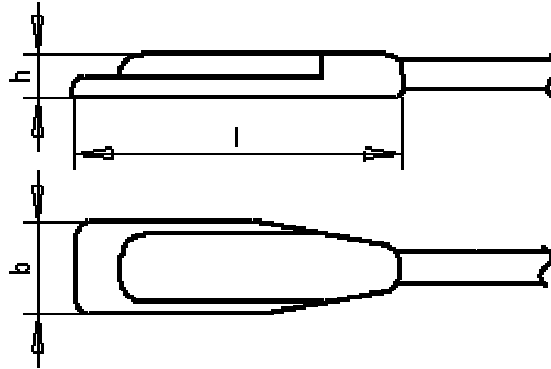
Flat Probe LF-1

Measures of the probe head:

Width (b) 12 mm

Height (h) 5,5 mm

Length (l) 44,5 mm



Probe length 300cm

2 Channel measurement of oxygen saturation / amount of hemoglobin

2 Channel measurement of blood flow

Transmittance wavelength 500-850nm

(Medical Device Class IIa)

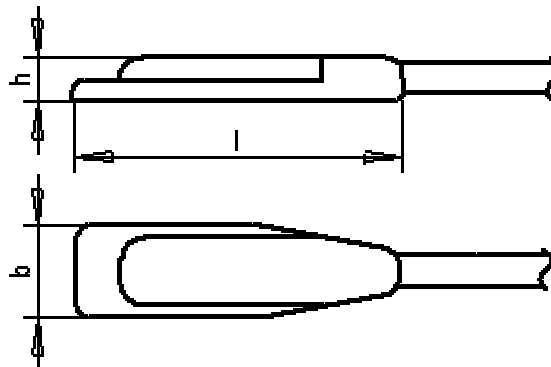
Flat Probe LF-2

Measures of the probe head:

Width (b) 12 mm

Height (h) 5,5 mm

Length (l) 44,5 mm



Probe length 300cm

2 Channel measurement of oxygen saturation / amount of hemoglobin

2 Channel measurement of blood flow

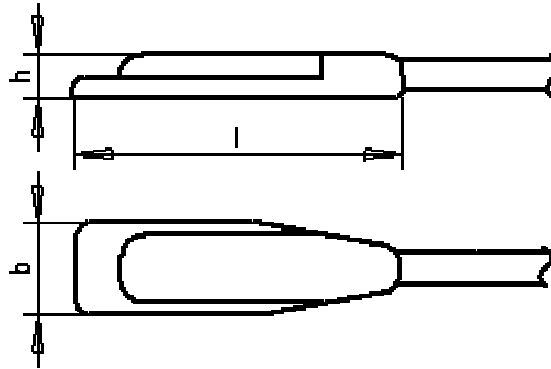
Transmittance wavelength 500-850nm

(Medical Device Class IIa)

Flat Probe LF-3

Measures of the probe head:

Width (b) 12 mm
Height (h) 5,5 mm
Length (l) 44,5 mm



Probe length 300cm

1 Channel measurement of oxygen saturation / amount of hemoglobin
1 Channel measurement of blood flow

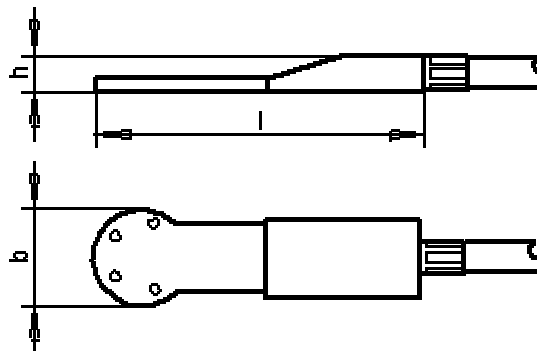
Transmittance wavelength 500-850nm

(Medical Device Class IIa)

Flat Probe SF-1

Measures of the probe head:

Width (b) 14 mm
Height (h) 5,2 mm
Length (l) 48 mm



Probe length 300cm

1 Channel measurement of oxygen saturation / amount of hemoglobin
2 Channel measurement of blood flow

Transmittance wavelength 500-850nm

(Medical Device Class IIa)

Check availability before ordering!

Vertical Probes

At this time there is no standard type available.

Micro Probes

Micro Probe LM-1

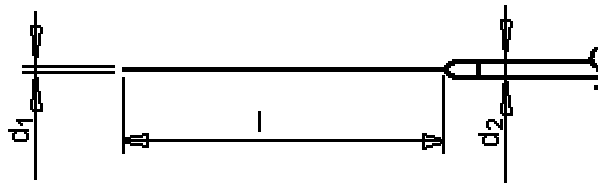
Measures of the Probe head:

Diameter:

d1 0,73 mm

d2 4,3 mm

Length l 50 cm



Probe length 300cm

1 Channel measurement of oxygen saturation / amount of hemoglobin

1 Channel measurement of blood flow

Transmittance wavelength 500-850nm

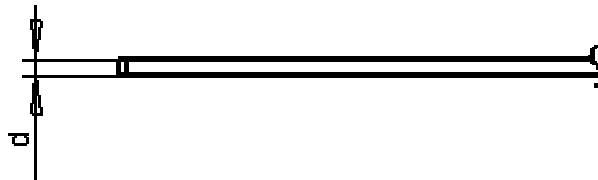
(for animal experiments only)

Check availability before ordering!

Micro Probe LM-10

Measures of the Probe head:

Diameter (d) 2,6 mm



Probe length 300cm

1 Channel measurement of oxygen saturation / amount of hemoglobin

1 Channel measurement of blood flow

Transmittance wavelength 500-850nm

(Medical Device Class IIa)